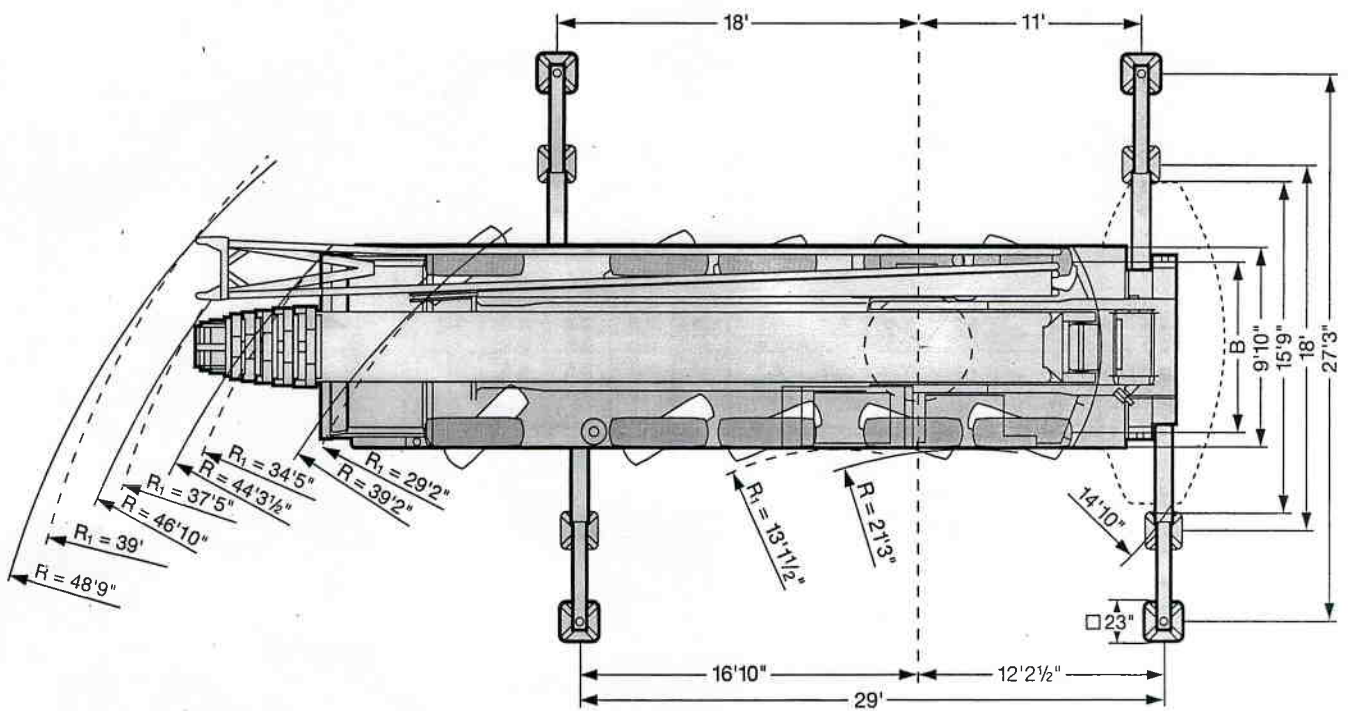
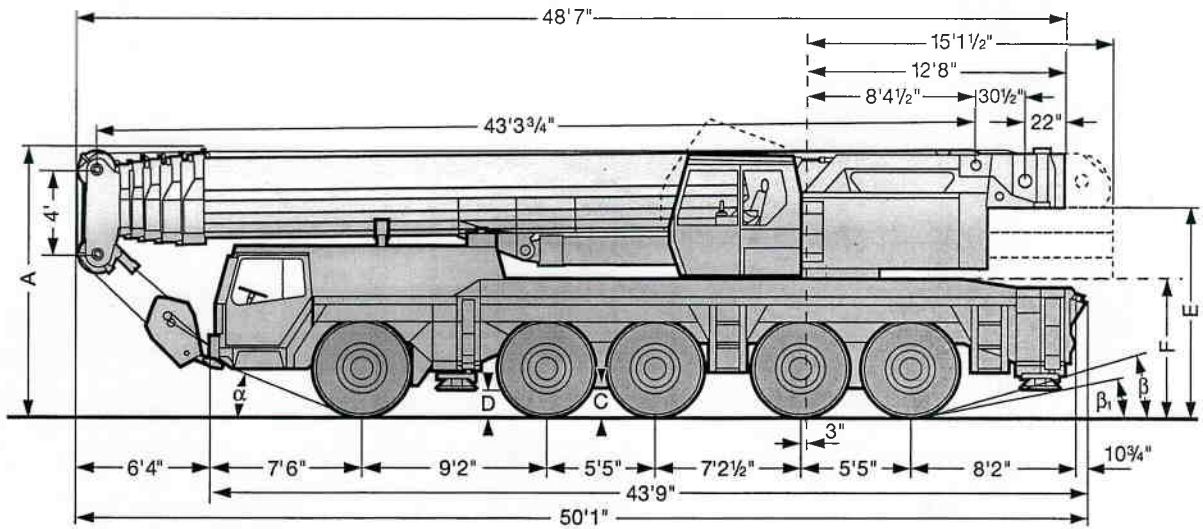


## 200 Ton Hydraulic Crane Capacity Chart


	43 ft	43 ft (over- rear)	57 ft	72 ft	86 ft	100 ft	114 ft	128 ft	142 ft	156 ft	171 ft	185 ft	197 ft
10	317	400											
11	303	327											
12	288	293	271										
13	274	275	254										
14	261	261	241	226	203								
15	248	249	230	215	195	169							
16	238	240	223	208	189	165							
17	228	232	216	201	182	161	133						
18	218	224	210	195	176	157	132						
20	200	209	197	183	164	149	129	111					
22	185	193	183	173	154	140	123	108					
24	171	178	170	164	144	132	118	104	88.5				
26	158	163	157	154	136	124	112	100	86				
28	147	151	146	144	128	117	107	96	83	71.5			
30	136	140	136	134	121	111	102	92	80	69.5	58.9		
32	126	127	127	125	115	105	97.5	88.5	77.5	67.5	57.6		
34			119	117	109	99.5	92.5	85	74.5	66	56.2	46.9	36.1
36			112	110	104	95	88	81.5	72	64	54.8	46.1	35.6
38			105	102	99.5	90	83.5	78	69.5	62	53.4	45.4	5
40			98.5	96	94.5	86	79.5	75	67	60	52	44.5	34.5
45			84.5	82	81	77	71	68	61.5	56.1	48.7	42.2	32.6
50				71.5	70.5	69.5	64.5	61.5	57	52.4	45.7	39.7	30.8
55				62.5	61.5	61.5	59.2	56.1	52.8	48.9	43	37.4	29
60					53.6	53.9	54.2	51.4	48.9	45.6	40.5	35.1	27.3
65					47	47.3	48.1	47.5	45.3	42.7	38.3	33.2	25.7
70					41.7	41.9	42.9	43.4	42	39.9	36.3	31.4	24.3
75						37.1	38.3	39.3	38.8	37.2	34.3	29.8	22.9
80						33	34.1	35.5	35.5	34.7	32.5	28.3	21.7
85						29.5	30.5	31.9	32.2	32.4	30.7	26.9	20.6
90							27.5	28.8	29.3	30.2	28.8	25.7	19.4
95							24.7	26.8	26.6	27.9	26.9	24.6	18.4
100							20.7	25.4	24	25.5	25.2	23.5	17.3
105								23.9	21.8	23.2	23.5	22.6	16.4
110								22.6	19.8	21.2	21.7	21.7	15.5
115								20	18	19.3	20	20.6	14.7
120									17.2	17.6	18.3	19.4	13.9



125									16.7	16.1	17	17.8	13.2
130									16.4	14.7	16.1	16.4	12.4
135										14.2	15.4	15	11.7
140										13.8	14.8	13.8	11
145											14.2	12.7	10.3
150											13.2	11.6	9.7
155											12.3	10.6	9.1
160												9.7	8.6
165													8.1
170													7.6
175													7.2



R<sub>1</sub> = All-wheel steering  
Direction toutes roues

 <b>16.00 R 25</b>	Dimensions / Encombrement									
	A	A	B	C	D	E	F	α	β	β <sub>1</sub>
	13'2"	6" <sup>*</sup> 12'7 1/2"	8'5"	18 1/2"	14 3/4"	10'1"	6'11 1/2"	23°	16°	11°

\*lowered / abaissé