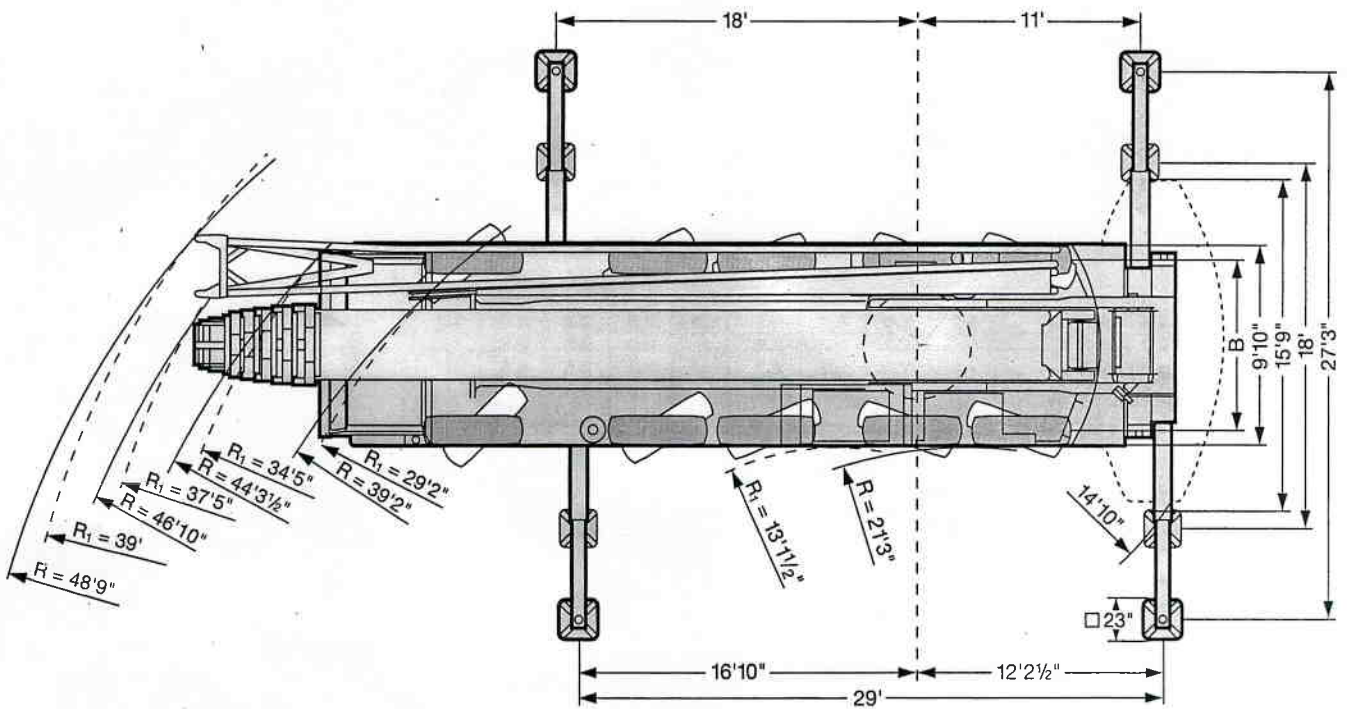
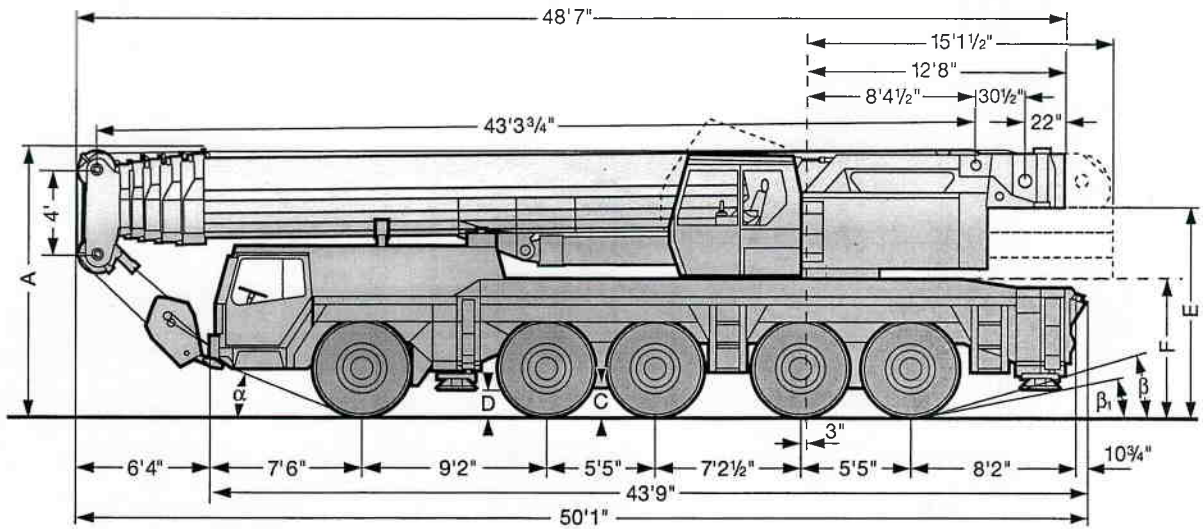



150 Ton Hydraulic Crane Capacity Chart

	43 ft	57 ft	72 ft	86 ft	100 ft	114 ft	128 ft	142 ft	156 ft
10	285								
11	269								
12	255	246							
13	241	231							
14	229	219	206	184					
15	218	209	195	178	153				
16	207	202	189	171	150				
17	197	194	183	166	146	121			
18	188	186	177	160	142	120			
20	169	169	166	149	135	117	101		
22	154	153	151	138	128	112	97.5		
24	140	139	136	126	118	107	94.5	80.5	
26	127	126	121	112	105	101	90.5	78	
28	116	115	109	101	95.5	92	86.5	75.5	65
30	106	105	97.5	91	86.5	84	82	73	63
32	97	96	89	83	79	77	75.5	70	61.5
34		88	81.5	76	72.5	71	70	66.5	59.8
36		80	75	70	67	66	65	62.5	58.1
38		74	68.5	64.5	61.5	60.5	60	58.2	56.4
40		69.5	63	59	56.7	55.9	55.5	54.2	54.2
45		57.2	52.2	48.5	46.8	46.5	49.5	44.7	46.2
50			47.2	40.4	41.7	39.2	44.3	41.5	39.7
55			41.6	35.1	38.2	33.5	39.2	38.1	34.3
60				32.5	35	30.8	34.2	34.3	31.4
65				30.3	31.5	28.4	30.2	30.3	29.4
70				28.4	27.8	26.4	26.8	27	27.1
75					24.5	24.5	23.7	24.7	24.6
80					21.7	22.6	20.8	22.9	22.1
85					19.3	20.1	18.9	21	19.9
90						18.7	17.5	19	18
95						17.6	16.4	17.1	16.2
100						16.3	15.2	15.4	14.4

105							14.1	13.8	12.9
110							12.8	12.5	11.5
115							11.6	11.3	10.3
120								10.2	9.2
125								9.2	8.2
130								8.3	7.3
135									6.4
140									5.7



R_1 = All-wheel steering
Direction toutes roues

 16.00 R 25	Dimensions / Encombrement									
	A	A ^{6"} *	B	C	D	E	F	α	β	β_2
	13'2"	12'7 1/2"	8'5"	18 1/2"	14 3/4"	10'1"	6'11 1/2"	23°	16°	11°

*lowered / abaissé