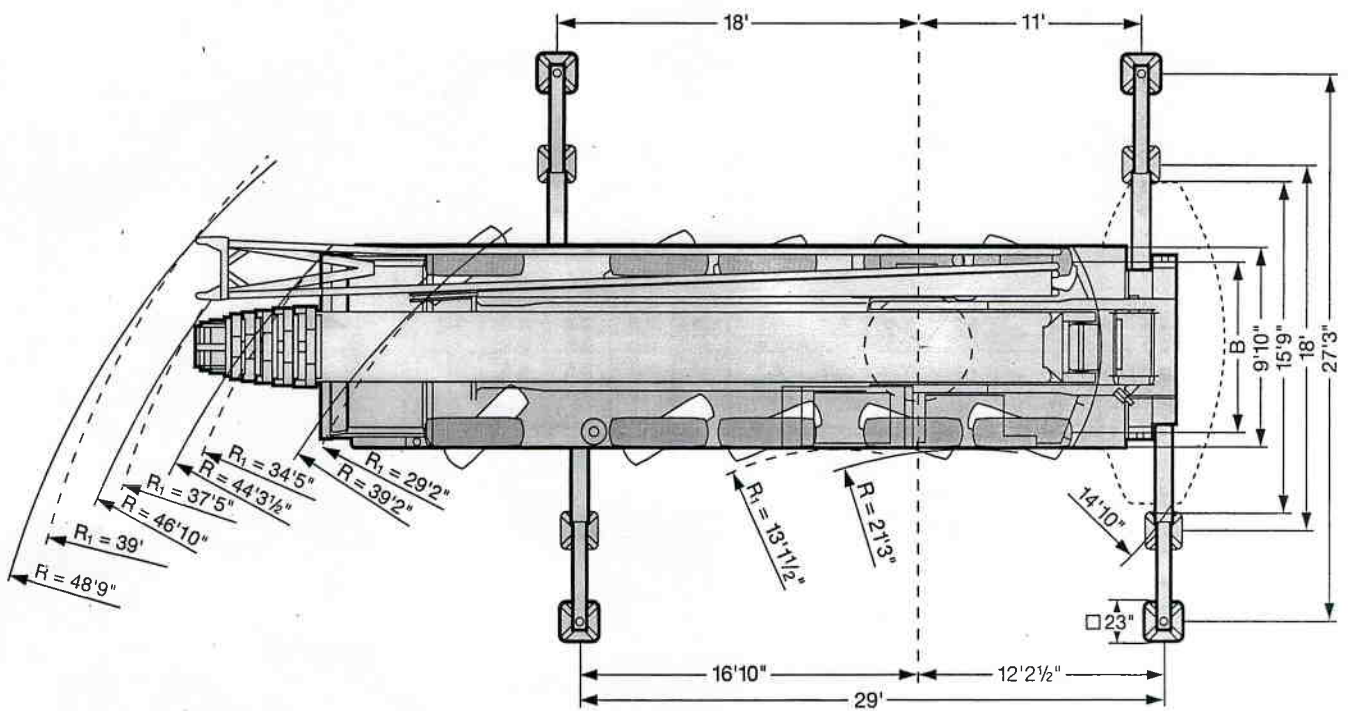
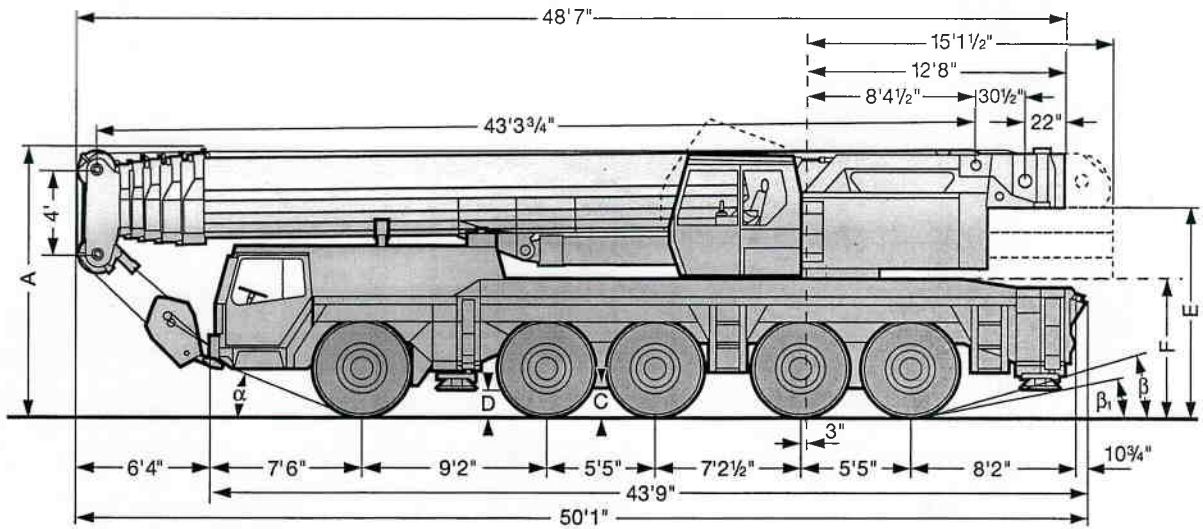



120 Ton AT Capacity Chart

	43 ft	57 ft	72 ft	86 ft	100 ft	114 ft	128 ft	142 ft
10	240							
11	240							
12	240	240						
13	237	231						
14	224	219	206	194				
15	211	208	195	178	153			
16	200	198	189	171	150			
17	189	188	178	161	143	120		
18	179	178	165	149	134	117		
20	160	158	139	126	116	110	100	
22	143	136	120	110	102	97.5	92	
24	127	118	105	96	90	86	83	78
26	113	104	92	84.5	79	76	74	70.5
28	99	93.5	82	75	70.5	68.5	70.5	64
30	85.5	88.5	72.5	66.5	63.5	61	66.5	58
32	75.5	80	67.5	59.5	60.5	55.3	61	55.8
34		72.5	64.5	53.9	57.8	50.9	56.3	53
36		65.5	61	49.9	55.3	48.7	52.1	49.9
38		58.7	57.7	47.8	52.7	46.5	48	46.7
40		52.7	54.1	45.8	50	44.5	44.3	43.7
45		42.2	43.4	41.6	41.8	40.2	37.1	38.6
50			35.7	37.3	35.6	35.2	33.8	33.9
55			30.7	32.7	30.3	30.4	30.5	29.5
60				27.8	25.9	27.6	26.9	25.7
65				24	22.1	24.7	23.7	22.5
70				21	20.5	21.8	21	19.9
75					18.5	19.1	18.5	17.6
80					16.3	16.8	16.3	15.6
85					14.3	14.8	14.2	13.8
90						13.1	12.5	12.1
95						11.6	11	10.6

100						10.2	9.6	9.3
105							8.4	8
110							7.4	7
115							6.4	6.1
120								5.3
125								4.5
130								3.8



R₁ = All-wheel steering
Direction toutes roues

 16.00 R 25	Dimensions / Encombrement									
	A	A 6"*	B	C	D	E	F	α	β	β ₂
	13'2"	12'7 1/2"	8'5"	18 1/2"	14 3/4"	10'1"	6'11 1/2"	23°	16°	11°

*lowered / abaissé